

C2200 and C2200G Conversion Instructions

For Country Groups 01-08 and 10

The C2200 is designed for use in Country Groups 01-08 and 10. All the Primary Voltage Conversions are performed by moving the transformer primary colored lead wires to new locations on the Primary Transformer terminal block as indicated.

COUNTRY GROUP 01 – USA

Parts Required:

- 1 – C2200
- 1 – 171101 Line Cord (18AWG)
- 1 – 089119 Fuse (T 0.63AL 250V SB)

- Step 1: Wire transformer terminal block for 120V operation as shown in Figure 1
- Step 2: Insert Fuse P/N 089119 into fuse-holder
- Step 3: Ship Line Cord P/N 171101 with unit

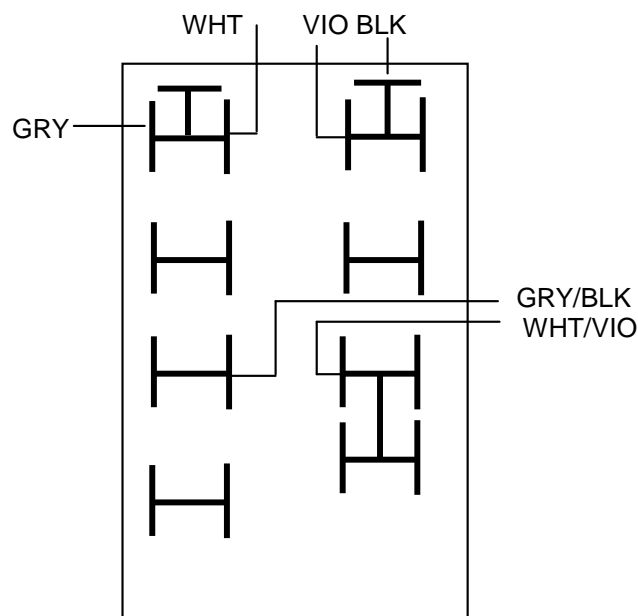


Fig. 1 Wired for 120VAC Conversion

COUNTRY GROUP 02 - JAPAN

Parts Required:

- 1 – C2200
- 1 – 126882 Input Rating Decal (100V~ 50/60Hz 75W)
- 1 – 125781 Line Cord Tag (100V)
- 1 – 089119 Fuse (T 0.63AL 250V SB)
- 1 – 171101 Line Cord (18AWG)

- Step 1: Wire transformer terminal block for 100V operation as shown in Figure 2
- Step 2: Insert Fuse P/N 089119 in fuse-holder
- Step 3: Change screened Rear Panel Input Rating to 100V~ 50/60Hz 75W using P/N 126882
- Step 4: Tag Line Cord P/N 171101 with 100V Tag P/N 125781 and ship with unit

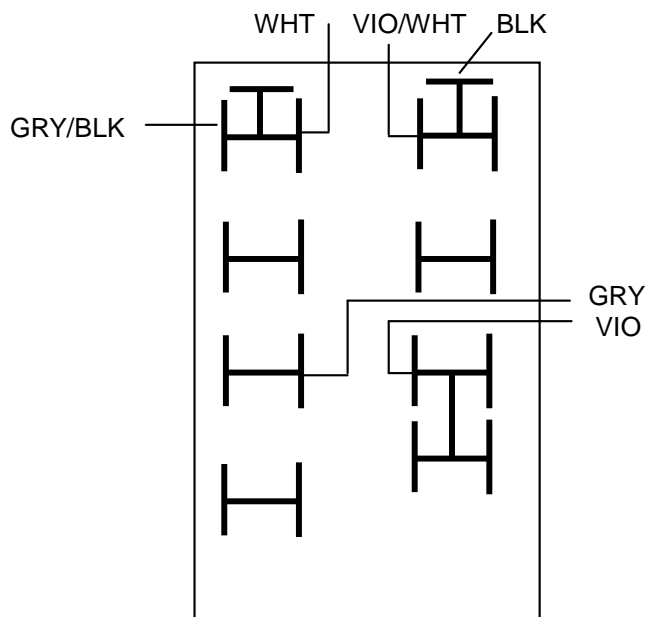


Fig. 2 Wired for 100VAC Conversion

COUNTRY GROUP – 03- TAIWAN

Parts Required:

- 1 – C2200
- 1 – 125731 Date of Manufacturing Decal M/Y
- 1 – 126883 Input Rating Decal (110V~ 60Hz 75W)
- 1 – 089119 Fuse (T 0.63AL 250V SB)
- 1 – 171101 Line Cord (18AWG)
- 1 – 126095 Line Cord Tag (110V)

- Step 1: Wire transformer terminal block for 120V operation as shown in Figure 3.
- Step 2: Insert Fuse P/N 089119 in fuse-holder.
- Step 3: Change screened Rear Panel Input Rating to 110V~ 60Hz 75W using P/N 126883.
- Step 4: Tag Line Cord P/N 171101 with 110V Tag P/N 126095 and ship with unit.
- Step 5: Apply Date of Manufactured Decal P/N 125731.

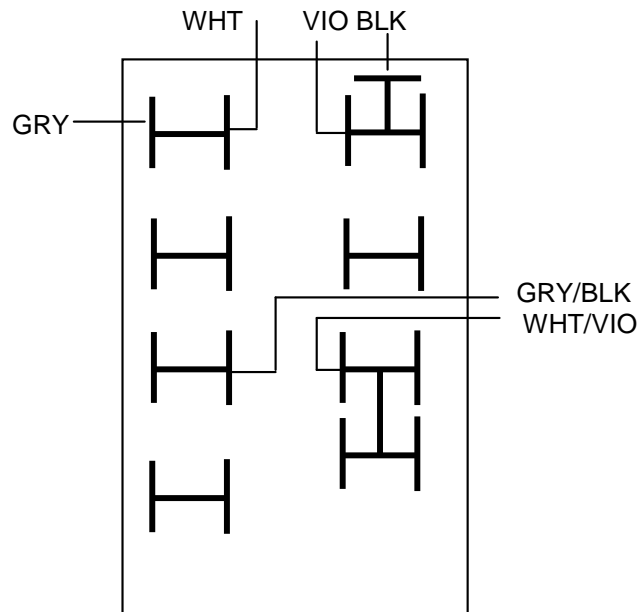


Fig. 3 Wired for 120VAC Conversion

COUNTRY GROUP – 04 ENGLAND

Parts Required:

- 1 – C2200
- 1 – 089113 Fuse (T 0.315AL 250V SB)
- 1 – 126884 Input Rating Decal (230V~ 50/60Hz 75W)
- 1 – 125783 Line Cord Tag (230V)
- 1 – 170378 Line Cord (England)
- 1 – 126525 Fuse Rating Decal (T 0.315AL 250V SB)

- Step 1: Wire transformer terminal block for 240V operation as shown in Figure 4.
- Step 2: Insert Fuse P/N 089113 in fuse-holder.
- Step 3: Apply Fuse Rating Decal P/N 126525 adjacent to Fuse on Rear Panel.
- Step 4: Change screened Rear Panel Input Rating to 230V~ 50/60Hz 75W using P/N 126884.
- Step 5: Tag Line Cord P/N 170378 with 230V Tag P/N 125783 and ship with unit.

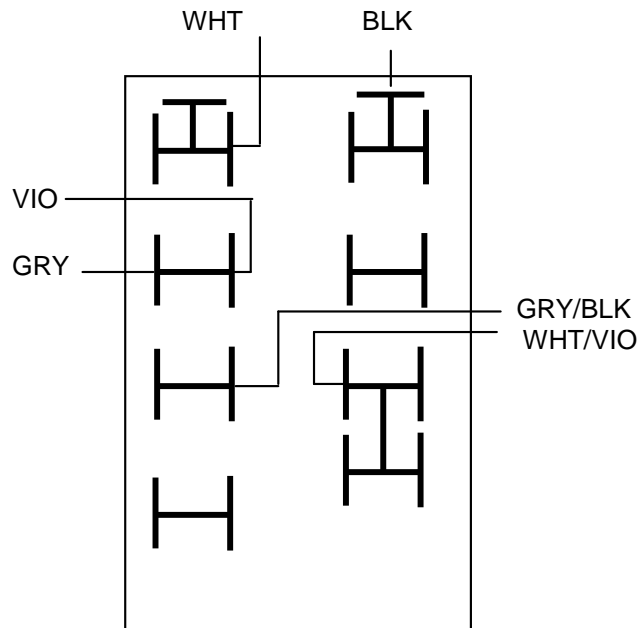


Fig. 4 Wired for 240VAC Operation

COUNTRY GROUP – 05- EUROPE

Parts Required:

- 1 – C2200
- 1 – 089113 Fuse (T 0.315AL 250V SB)
- 1 – 126884 Input Rating Decal (230V~ 50/60Hz 75W)
- 1 – 125783 Line Cord Tag (230V)
- 1 – 170200 Line Cord
- 1 – 126525 Fuse Rating Decal (T 0.315AL 250V SB)

- Step 1: Wire transformer terminal block for 240V operation as shown in Figure 5
- Step 2: Insert Fuse P/N 089113 in fuse-holder.
- Step 3: Apply Fuse Rating Decal P/N 126525 adjacent to Fuse on Rear Panel.
- Step 4: Change the screened Rear Panel Input Rating to 230V~ 50/60Hz 75W using P/N 126884.
- Step 5: Tag Line Cord P/N 170200 with 230V Tag P/N 125783 and ship with unit

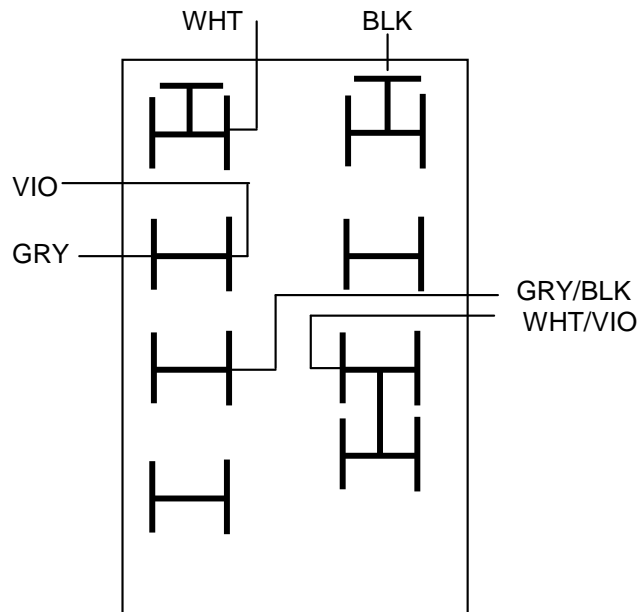


Fig. 5 Wired for 240VAC Operation

COUNTRY GROUP – 06-AUSTRALIA

Parts Required:

- 1 – C2200
- 1 – 089113 Fuse (T 0.315AL 250V SB)
- 1 – 126885 Input Rating Decal (240V~ 50/60Hz 75W)
- 1 – 125784 Line Cord Tag (240V)
- 1 – 170989 Line Cord (Australia)
- 1 – 126897 Australian Cert Label
- 1 – 126525 Fuse Rating Decal (T 0.315AL 250V SB)

- Step 1: Wire transformer terminal block for 240V operation as shown in Figure 6.
- Step 2: Insert Fuse P/N 089113 in fuse-holder.
- Step 3: Apply Fuse Rating Decal P/N 126525 adjacent to Fuse on Rear Panel.
- Step 4: Change screened Rear Panel Input Rating to 240V~ 50/60Hz 75W using P/N 126885 and apply “Australian Cert Label “ 126897 to products rear pane.
- Step 5: Tag Line Cord P/N 170989 with 240V Tag P/N 125784 and ship with unit.

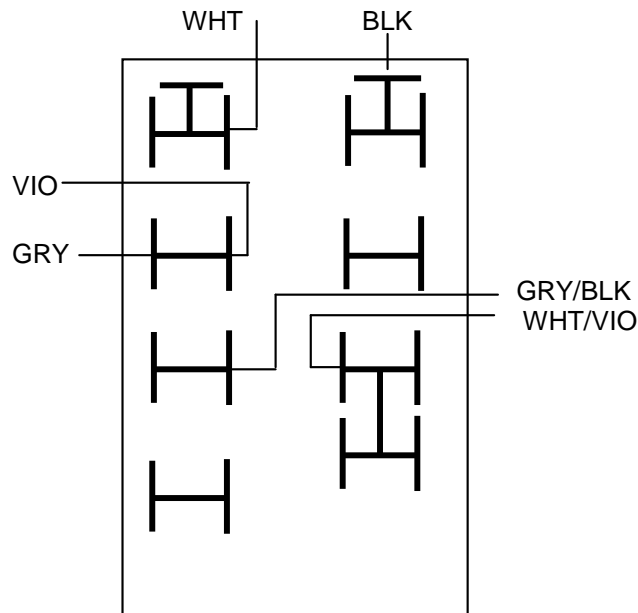


Fig. 6 Wired for 240VAC Operation

COUNTRY GROUP – 07 - SAUDI ARABIA

Parts Required:

- 1 – C2200
- 1 – 089113 Fuse (T 0.315AL 250V SB)
- 1 – 126886 Input Rating Decal (220V~ 50/60Hz 75W)
- 1 – 125398 Line Cord Tag (220V)
- 1 – 126525 Fuse Rating Decal (T 0.315AL 250V SB)
- 1 – 170200 Line Cord

- Step 1: Wire transformer terminal block for 220V operation as shown in Figure 7
- Step 2: Insert Fuse P/N 089113 in fuse-holder.
- Step 3: Apply Fuse Rating Decal P/N 126525 adjacent to Fuse on Rear Panel.
- Step 4: Changed screened Rear Panel Input Rating to 220V~ 50/60Hz 75W using P/N 126886.
- Step 5: Tag Line Cord P/N 170200 with 220V Tag P/N 125398 and ship with unit

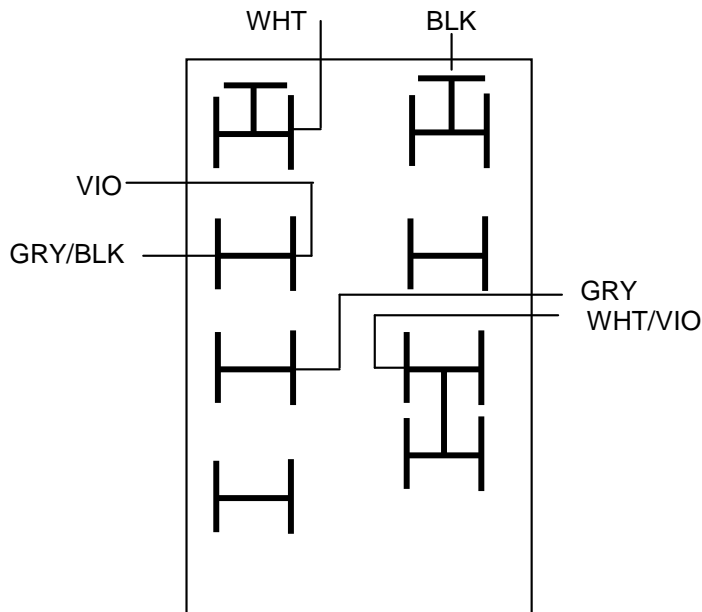


Fig. 7 Wired for 220VAC Operation

COUNTRY GROUP – 08 – KOREA

Parts Required:

- 1 – C2200
- 1 – 089113 Fuse (T 0.315AL 250V SB)
- 1 – 126886 Input Rating Decal (220V~ 50/60Hz 75W)
- 1 – 125398 Line Cord Tag (220V)
- 1 – 126525 Fuse Replacement Decal (T 0.315AL 250V SB)
- 1 – 171477 Korean Certified Line Cord
- 1 – 126839 Korean Regulatory Decal (Tom Chung)
- 1 – 125731 Date of Manufacture Label
- 1 – 126899 KETI Certification Label
- 1 – 126860 KTL required Address Label

- Step 1: Wire transformer terminal for 220V operation as shown in Figure 8
- Step 2: Insert Fuse P/N 089113 in fuse-holder.
- Step 3: Apply Fuse Replacement Decal P/N 126525 adjacent to Fuse on Rear Panel.
- Step 4: Change screened Rear Panel Input Rating to 220V~ 50/60Hz 75W using P/N 126886.
- Step 5: Tag Line Cord P/N 171477 with 220V Tag P/N 125398 and ship with unit.
- Step 6: Apply Korean Regulatory Decal P/N 126839 (Tom Chung) to product.
- Step 7: Apply Date of Manufacture Label 125731, KTL required Address Label 126860 and KETI Certification Label 126899 to products rear panel.

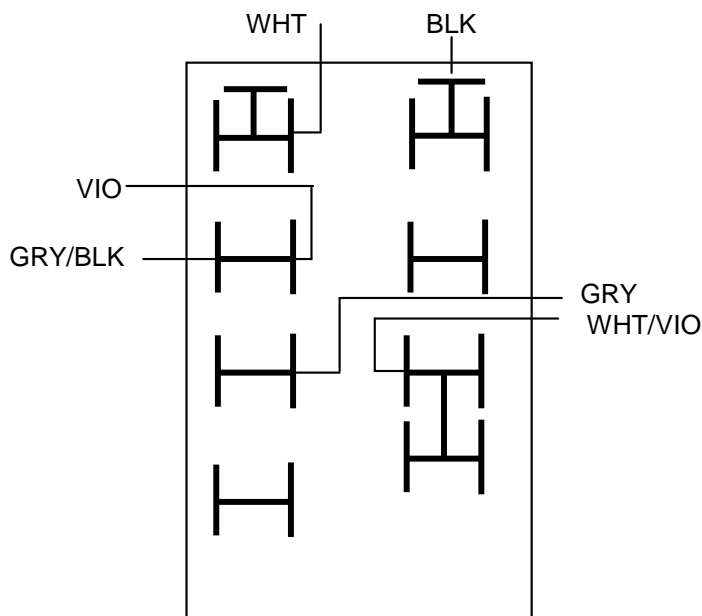


Fig. 8 Wired for 220VAC Operation

COUNTRY GROUP – 10 – HONG KONG N/A

Parts Required:

- 1 – C2200
- 1 – 089113 Fuse (T 0.315AL 250V SB)
- 1 – 126887 Input Rating Decal (220V~ 50Hz 75W)
- 1 – 125398 Line Cord Tag (220V)
- 1 – 126525 Fuse Replacement Decal (T 0.315AL 250V SB)
- 1 – 171159 Line Cord (UK)

- Step 1: Wire transformer terminal block for 220V operation as shown in Figure 9.
- Step 2: Insert Fuse P/N 089113 in fuse-holder.
- Step 3: Apply Fuse Replacement Decal P/N 126525 adjacent to Fuse on Rear Panel.
- Step 4: Change screened Rear Panel Input Rating to 220V~ 50Hz 75W using P/N 126887.
- Step 5: Tag Line Cord P/N 171159 with 220V Tag P/N 125398 and ship with unit

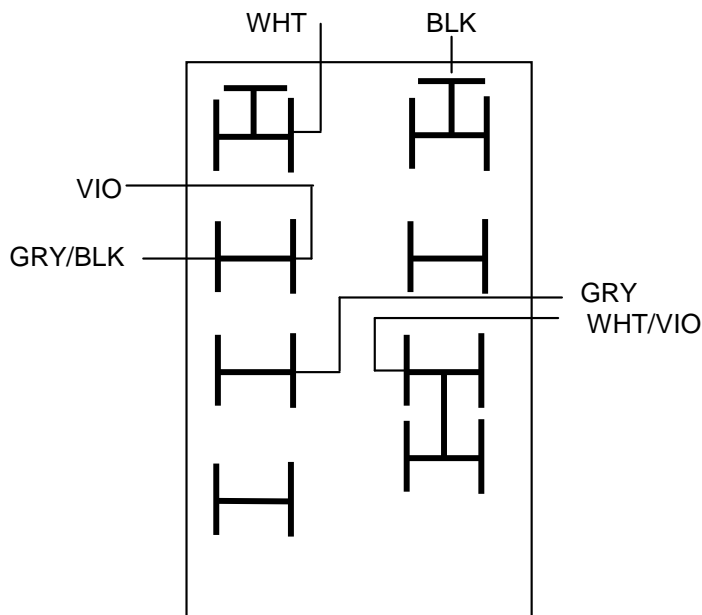


Fig. 9 Wired for 220VAC Operation

NOTES:

- | | | |
|--------------------|----------|--|
| Released | 10/22/01 | |
| Rev A--- CN# 16551 | 05/23/02 | Groups 2-10. Input changes from 70Watts to 75 Watts. |
| Rev B--- CN# 16672 | 08/19/02 | Adds "Australian Cert Label" to Group 6. |
| Rev C--- CN# 16721 | 09/11/02 | Deletes 170200 Line Cord and adds 126899 KETI |

Certification Label,

126860 KTL Address Label and
125731 Date of Manufacture Label and
171477 Korean Certified Line Cord.